

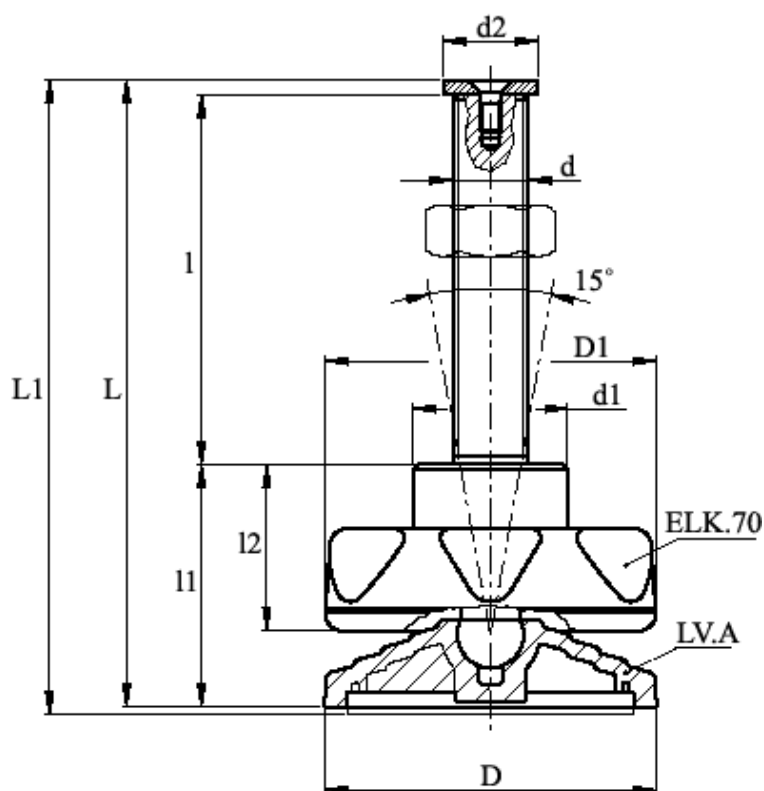
Data Sheet



Article number: 2310308118

Description: E+G Levelling element w/no-slip disc
LV.A-70-14-AS-M16x78-ELK

Measures



Ball size = 14	l_1	= 51
d = M16	L_1	= 135
D = 70	l_2	= 35
d_1 = 33	Max load (N) = 14000	
D_1 = 70		
d_2 = 20		
l = 78		
L = 132		